

# 规格承认书

## Specification for approval

产品名称: **H3-02 5x20mm 面板保险丝座 10A 250VAC**

**Product Type: Slotted Cap Fingergrip Shock-Safe**

**Vertical Mount PCB Fuse Holder H3-02 10A 250VAC For  
5x20mm Cylindrical Glass Tube Fuse**

**Ao littel Technology Co.Ltd.**

Bld. 16,Yanhe East Road,Xiangdong Village, Dongguan 523833,  
Guangdong,China

H.P.: 1371362419

QQ #: 3217998702

<http://www.passivemall.com/>

Fax #:0769-89390418

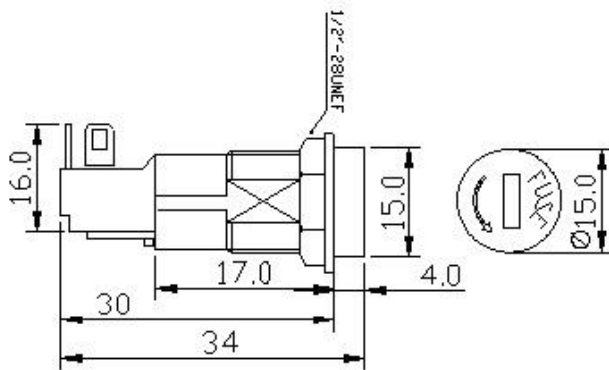
Email : eric.lye@aolittel.com

<http://www.aolittel.com/>

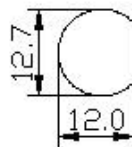
### 1. Main Parameters

Product Name	PCB Fuse Holder
P/N	H3-02
Voltage breakdown	AC2500 1minute
Insulation resistance	DC 500V 100MΩ
Rating Values	10A 250VAC
Temperature range	-20℃ -150 ℃
Flammability class	UL94V0
Standard	IEC-60335-1 GB_9364.6-2001
Certification	ISO9001, ROHS,
Mounting	PCB Mount
Material	Thermosetting glue, Brass
International Approvals	CE, CQC, UL,VDE
Fuse size	5*20mm Fuse
Application	It is suitable for panel installation of all electrical and electronic equipment, testing equipment and sound equipment.

### 2. Dimension (mm)



1. 10A 250V AC
2.  $\varnothing 5.2 \times 20 \text{mm}$
3. Bayonet type cap
4. Soldering terminal
5. Phenolic resin
6. ul ccc ce vde



### 3. PCB Mount Fuse Holder

PCB mounts, or fuse holders, provide the installation hardware for a fuse. They are used in circuits to contain, protect and mount fuses. They are usually designed so that the wrong fuse cannot be placed in the mount, with a tab preventing accidental misuse.

#### Types of PCB mounts

PCB mounts come in two basic types, open or fully enclosed. Open PCB mounts include fuse clips, fuse blocks, socket and plug-on cap varieties. The fully enclosed variety may use a fuse carrier that is inserted into a holder or may use other means to fully enclose the fuse.

Both open and enclosed PCB mounts are available with a range of terminal styles including quick disconnect, solder and angled versions.

#### Why are PCB mounts important?

Fuses need to be protected because they themselves protect circuits from over current conditions. For example, if a circuit receives too high a level of current, the fuse will burn out, breaking the circuit. With a PCB mount, your fuse is protected and you can easily change it if required.

### 4. Photos

